



Metrologic®
We really work for you.™

MS3580 Quantum7™

Quantum7™ is the smallest and fastest scanner in a successful line of Metrologic multi-mode countertop scanners.

Ideal for presentation scanning in moderate-volume retail environments such as convenience stores, liquor stores and pharmacies, end users can individually customize the scan pattern and operate the scanner in either a hand-held or hands-free fashion. In addition, its rugged, rubber housing provides the necessary protection against daily operational use.

Quantum7, with an industry-leading 1,650 scans/second, provides aggressive first-pass scanning, reducing the time it takes to scan products, increasing customer satisfaction and employee efficiency. The single-line scan feature, enabled by the push of a button, saves time and reduces unwanted scans on menu-style codes by providing targeted

scanning through Metrologic's patented Codegate® technology. Hand-held operation ensures easy scanning of larger, bulkier products that cannot be easily presented to stationary scanners.

Quantum7 can be positioned at the user's convenience; mounted to a wall or countertop, atop one of four optional stands, or free standing for easy hand-held use. Other key features include Metrologic's patented IR activation mode, user-replaceable Powerlink cables and Flash memory. Quantum7 is an integral part of Metrologic's new line of omnidirectional bar code scanners that are "Powered by Metrologic's QuantumE™ Scan Engine."

www.metrologic.com

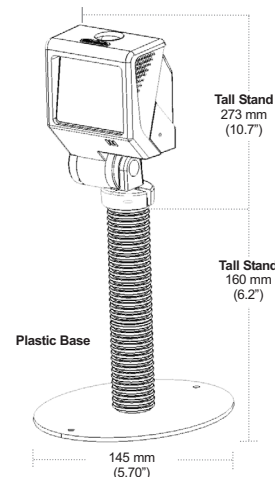
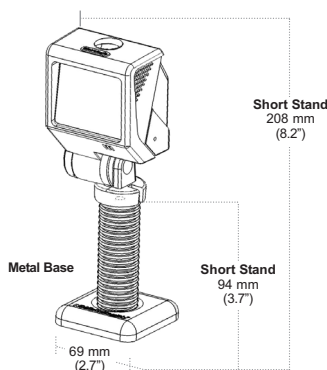
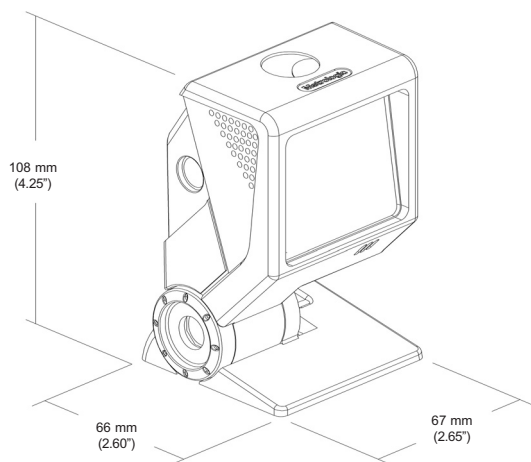


FEATURES

- Omnidirectional/Single-line mode
- Sleep Mode with IR wake-up
- Small footprint
- Programmable Depth of Field
- OPOS and JPOS system compatible

BENEFITS

- Alternate between 20 scan lines for omnidirectional scanning and a single scan line for menu scanning
- Multiple sleep modes reduce power consumption, extending life and lowering cost of operation
- Keeps valuable counter space clear
- Customize the scan field to eliminate inadvertent scans of nearby items
- Quantum7 is compatible with systems running the popular industry standards



Available in metal or plastic base

OPERATIONAL

| | |
|------------------------|---|
| Light Source | Visible Laser Diode 650 nm |
| Laser Power | 1.1 mW (peak) |
| Decode Capability | Autodiscriminates all standard 1D bar codes, including RSS Expanded, RSS-14 and RSS-14 Limited; for other symbologies call Metrologic |
| System Interfaces | RS232, Light Pen Emulation, Keyboard Wedge, Stand Alone Keyboard, IBM 468x/469x, USB, Laser Emulation, OCIA |
| Number Characters Read | Up to 80 data characters |
| Beeper Operation | 7 tones or no beep |
| Indicators | Blue = laser on, ready to scan White = good read |

MECHANICAL

| | |
|-------------|---|
| Length | 66 mm (2.60") |
| Width | 67 mm (2.65") |
| Height | 108 mm (4.25") |
| Weight | 170 g (6.0 oz) |
| Termination | 10 position modular RJ45 connector |
| Cable | Standard 2.1 m (7') straight; optional 2.7 m (9') coiled for other cables call Metrologic |

ELECTRICAL

| | |
|-------------------|---|
| Input Voltage | 5 VDC ± 0.25 V |
| Power | 1.375 W |
| Operating Current | 275 mA typical @ 5 VDC |
| DC Transformers | Class 2; 5.2 VDC @ 650 mA |
| Laser Class | Class 1; IEC60825-1:1993/A1:1997 + A2:2001 Class 1; EN60825-1:1994/A1:1996 + A2:2001 |
| EMC | FCC, ICES-003 & EN55022 Class A |

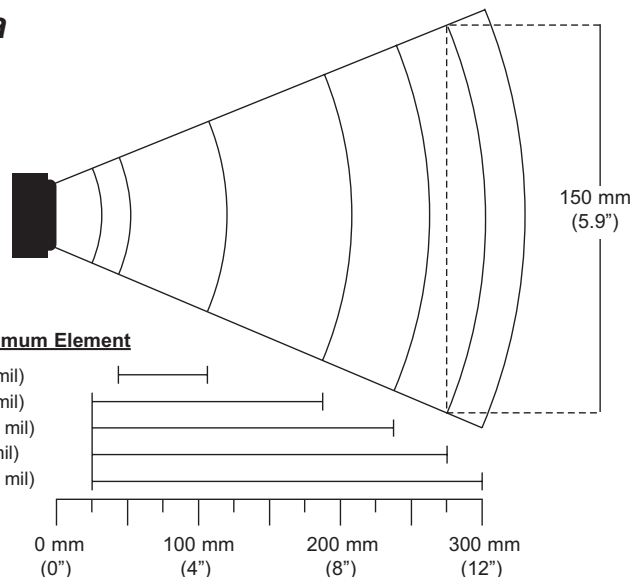
ENVIRONMENTAL

| | |
|---------------------|--|
| Operating | -20°C to 40°C (-4°F to 104°F) |
| Storage Temperature | -40°C to 60°C (-40°F to 140°F) |
| Humidity | 5% to 95% relative humidity, non-condensing |
| Light Levels | Up to 4842 Lux (450 footcandles) |
| Contaminants | Sealed to resist airborne particulate contaminants |
| Ventilation | None required |

SCAN PERFORMANCE

| | |
|--|--|
| Depth of Scan Field (programmable) | 19 mm - 273 mm (.75" - 10.75") for 0.33 mm (13 mil) bar code at default setting |
| Width of Scan Field | 30 mm (1.2") @ 25 mm (1.0"); 150 mm (5.9") @ 280 mm (11.0") |
| Scan Speed | Omnidirectional - 1650 scan lines per second Raster - 320 scan lines per second Single-line - 80 scan lines per second |
| Scan Pattern (programmable primary and secondary scan modes) | Omnidirectional - 5 fields of 4 parallel lines Raster - 4 lines Single-line - 1 line |
| Minimum Bar Width | 0.127 mm (5.0 mil) |
| Print Contrast | 35% minimum reflectance difference |
| Roll, Pitch, Yaw | 360°, 60°, 60° |

Scan Area



Product Colors Available



MS3580 is available in a variety of other colors with minimum quantity purchase



Sunrise 2005 Compliant



www.metrologic.com

ISO 9001:2000

Metrologic Instruments, Inc. | **Worldwide Headquarters**
90 Coles Road | Blackwood, NJ 08012-4683 | info@metrologic.com
Telephone 856-228-8100 | Fax 856-228-6673

Asian Headquarters
Tel. 65.6842.7155
info@sg.metrologic.com

European Headquarters
Tel. 49.89.89019.0
info@eu.metrologic.com

The Americas Headquarters
Tel. 1.800.ID.METRO
info@us.metrologic.com

Specifications subject to change without notice.
Printed U.S.A., Copyright August 2005
Metrologic, All rights reserved.



DS3580